



Description

Mircom's Select-A-Strobe Series is designed to comply with the Americans with Disability Act (ADA) and meet UL standard 1971 requirements for emergency signaling devices for the hearing impaired.

The Select-A-Strobe FS-240 series features a unique candela intensity field selector switch for alternating the candela output 15cd to 30cd (75cd on axis). The strobe housing is clearly labeled with vertical "FIRE" lettering. The strobe is polarized for connecting to supervised fire alarm circuits. The strobe is also designed with a xenon flashtube and provides a candela intensity field selector switch for maximum performance.

The FS-240 series can be synchronized by using the SDM-240 Sync Module to comply with NFPA recommendations concerning photosensitive epilepsy when installing 2 or more visual appliances within the field of view. The strobe signals are listed for indoor use, wall mount, under UL 1971 standard.

Engineering Specifications

The visual alarm indicating appliance shall be model FS-240 or equivalent device. The Strobe shall be listed under UL 1971 Standard for signaling devices for the hearing impaired and shall be approved for fire protective service. For outdoor applications and in UL NEMA 4X rated or UL Haz Dust Tight conditions, use UL/ULC ESH-1229/1229HTR polycarbonate covers. The candela output shall be field selectable, having a dual setting of 15cd or 30cd output. The signaling Strobe shall operate on 24VDC from a non-coded regulated DC supply or full-wave rectified, unfiltered supply. The Strobe shall be designed to produce one signal flash per second with continuously applied minimum voltage. The Strobe shall have a universal back mounting plate, capable of WALL mounting to a back box. When strobe synchronization is required, the Strobe shall be compatible with the SDM-240 (daisy chain) or other source of sync protocol. Visual signaling devices shall be installed in accordance with current NFPA guideline.

Features

- Meets or exceeds NFPA/ANSI Standards and ADA Accessibility Guidelines
- UL listed for wall mounting
- Screw terminal capacity up to 12 AWG
- Universal mounting plate included
- 24V DC strobe with two field selectable settings: 15cd, 30cd
- Polarized strobes with wide operating voltage range using filtered DC or unfiltered FWR input voltage
- Mounts to 4" square, single gang, double gang or octagonal back box
- Tamper-proof candela selector switch
- Synchronization requires Sync Module (SDM-240)
- Available in red or white housing

UL Required Minimum Light Output (cd)

Degrees	Wall Mount Horizontal		Wall Mount Vertical	
	@ 15 cd	@ 30 cd	@ 15 cd	@ 30 cd
0	75.00	75.00	75.00	75.00
5 ~ 25	13.50	27.00	13.50	27.00
30	11.25	22.50	13.50	27.00
35	11.25	22.50	9.75	19.50
40	11.25	22.50	6.90	13.80
45	11.25	22.50	5.10	10.20
50	8.25	16.50	4.05	8.10
55	6.75	13.50	3.30	6.60
60	6.00	12.00	2.70	5.40
65	5.25	10.50	2.40	4.50
70	5.25	10.50	2.25	4.50
75	4.50	9.00	1.95	3.90
80	4.50	9.00	1.95	3.90
85 ~ 90	3.75	7.50	1.80	3.60
Compound 45	3.60	7.20	-	-

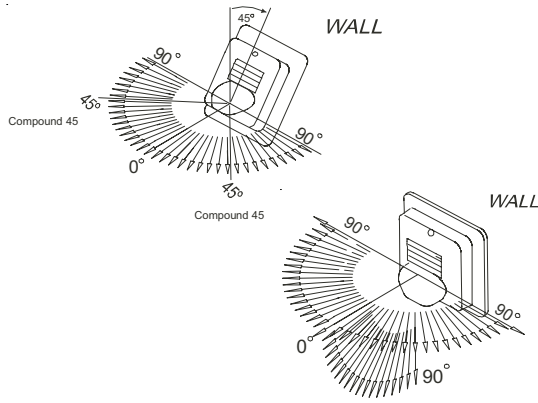
Specifications

Strobe Light	Max. RMS Operating Current (mA)	
	Regulated 24V DC	Regulated 24V FWR
15cd	83	120
30cd	128	175

Under ULC 525/526	ULC Current @ 24VDC (mA)
15cd	99
30cd	129



Light Output Distribution



Sound Output Dispersion (dB)

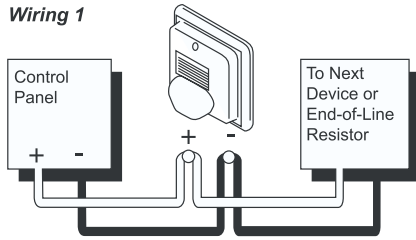
Degrees	Wall Mount Horizontal	Wall Mount Vertical
+90	-6 dB	-3 dB
+60	-2 dB	-2 dB
+30	-1 dB	-1 dB
0	0 dB	0 dB
-30	-1 dB	-3 dB
-60	-2 dB	-5 dB
-90	-6 dB	-6 dB

Warning

- Strobes must be used only on circuits with continuously operating voltage. DO NOT use strobe on coded or interrupted circuits in which the applied voltage is interrupted ON and OFF as the strobe may fail to flash.
- The applied voltage must be within its rated input voltage range.
- Fuse ratings on signaling circuits must handle peak currents from all devices connected to those circuits.

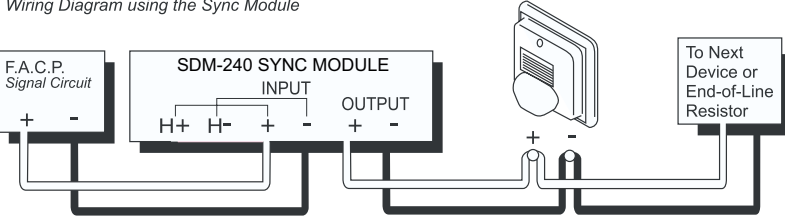
Wiring Diagram

Wiring 1

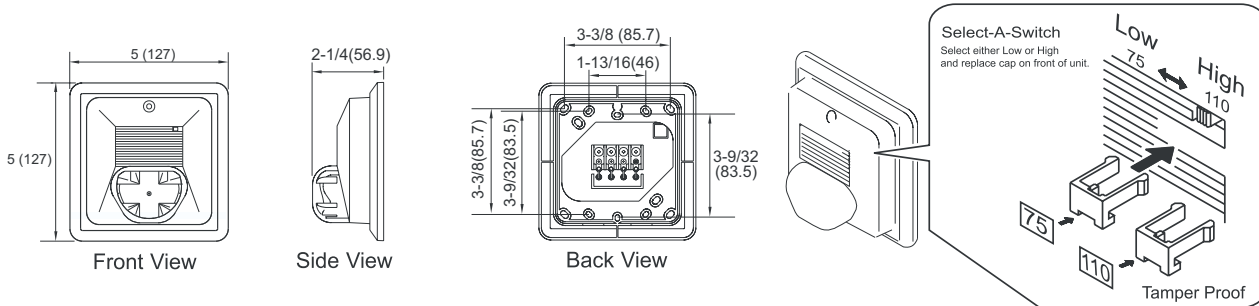
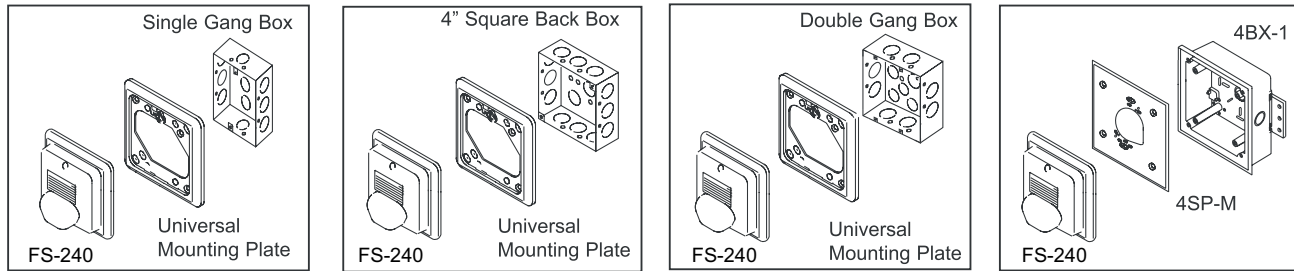


Wiring 2

Wiring Diagram using the Sync Module



Mounting Options & Dimensions



Ordering Information

Model Number	Housing Color	Input Voltage	Operating Voltage Range	Selectable Strobe Output (cd)	Flash Rate	Wiring Type	Mounting Type	Sync Module	Temperature Operating Range
FS-240R	Red	Regulated 24V DC/FWR	16 ~ 33VDC	15 or 30	60 times/min	Terminals	Wall Mount	SDM-240	32°F ~ 120°F (0°C~49°C)
FS-240W	White		16 ~ 33VFWR						

NOT TO BE USED FOR INSTALLATION PURPOSES.



Canada

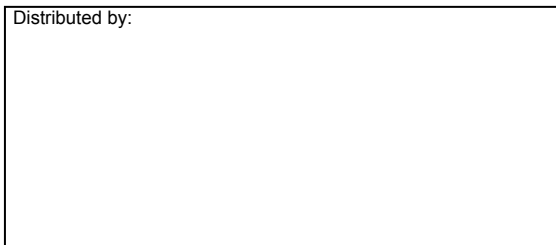
25 Interchange Way
Vaughan, Ontario L4K 5W3
Telephone: (905) 660-4655
Fax: (905) 660-4113

U.S.A.

60 Industrial Parkway
Cheektowaga, New York 14227
Toll Free: (888) 660-4655
Fax Toll Free: (888) 660-4113

Web page: <http://www.mircom.com> Email: mail@mircom.com

Distributed by:



ISO 9001:2000 REGISTERED



CAT. 5211
Rev. 5